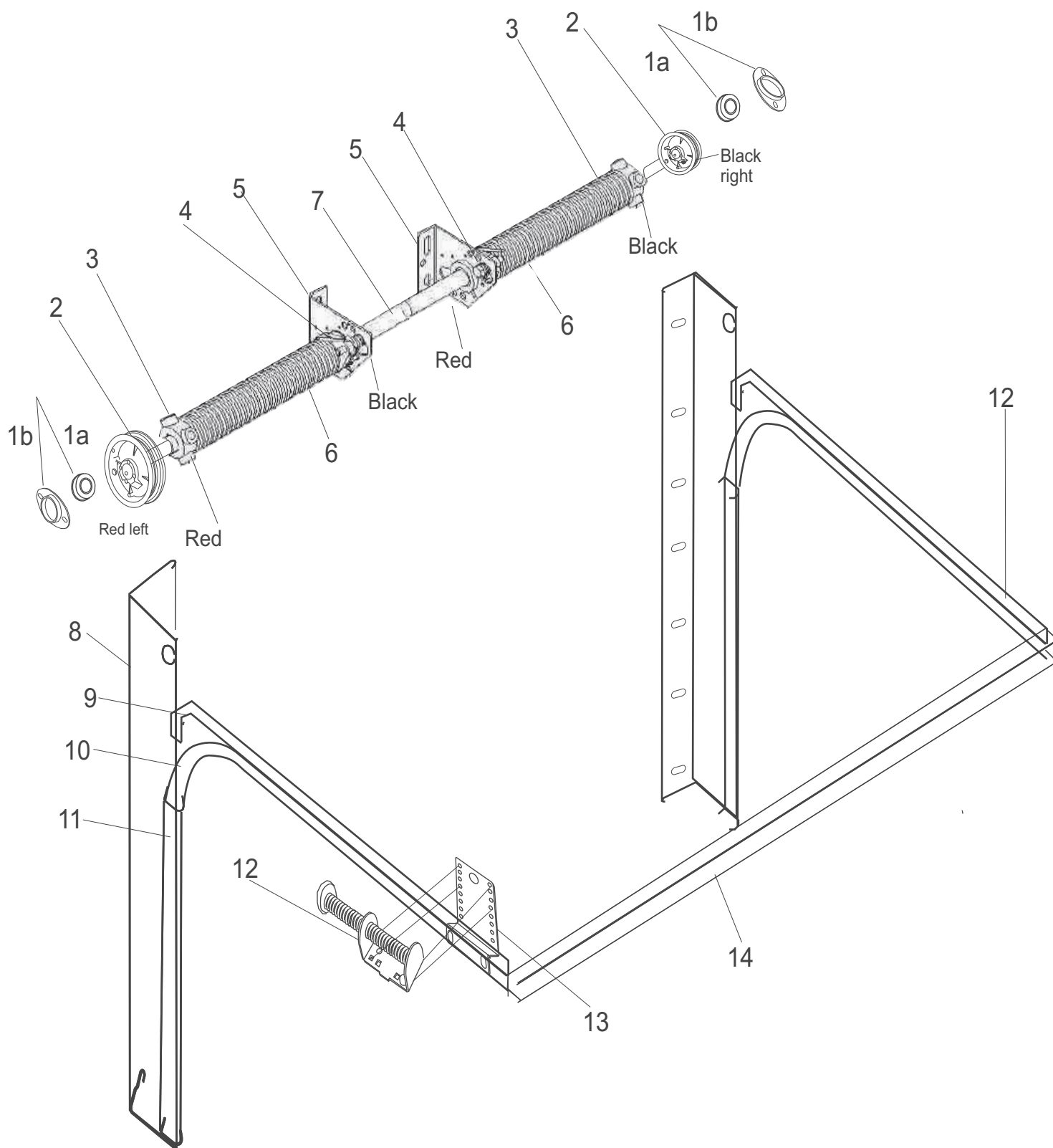


- 1 -Panel (BB-P...)
- 2 -Side seal (1085-...)
- 3 -Top astragal (BB-1036)
- 4 -Top bracket for double guide (417)
- 5 -Top bracket for single guide (450BZ)
- 6 -Roller (574-60)
- 7 -Interval astragal (BB-1037)
- 8 -Intermediate hinge (450HZ50)
- 9 -Slide bolt (629VER)
- 10 -Bottom astragal (BB-1035)
- 11 -Bottom bracket (427SX)
- 12 -Slide (447Z)
- 13 -Handle (BB-634)
- 14 -Intermediate hinge (450RZ50)
- 15 -End cup (BB-40RE...)
- 16 -Window (2...)

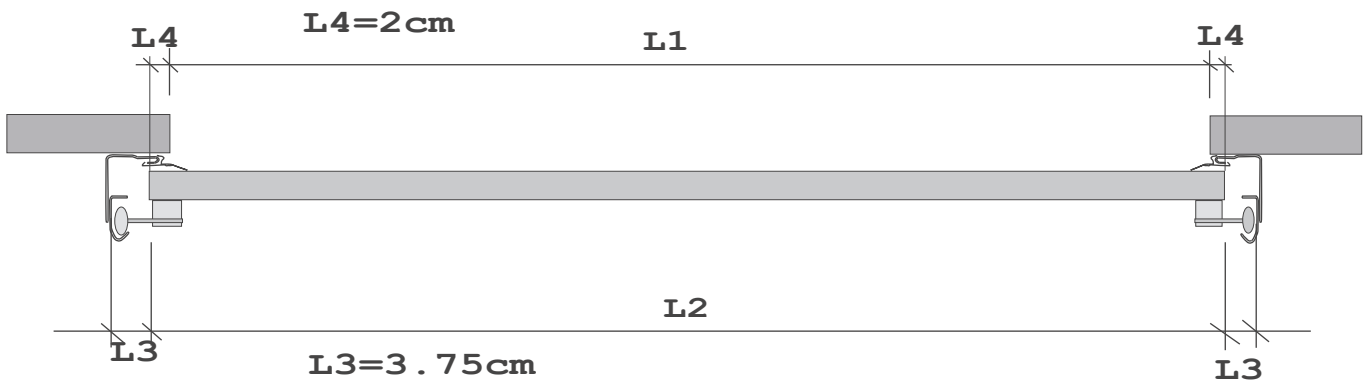
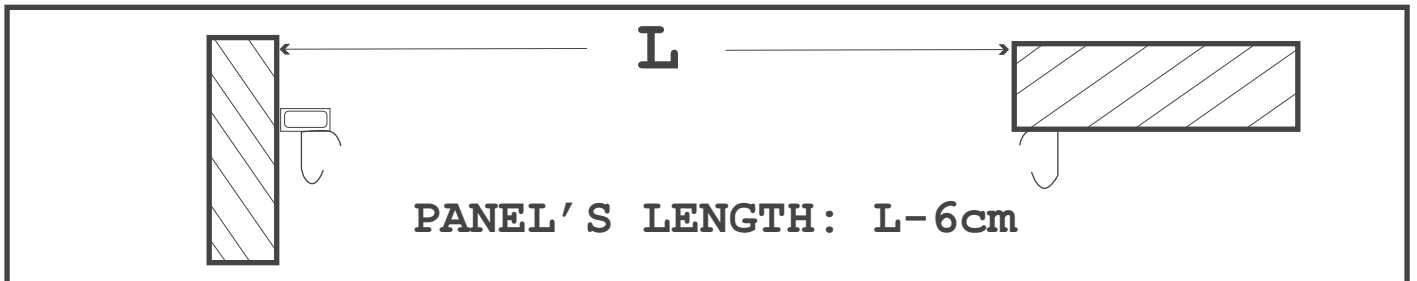
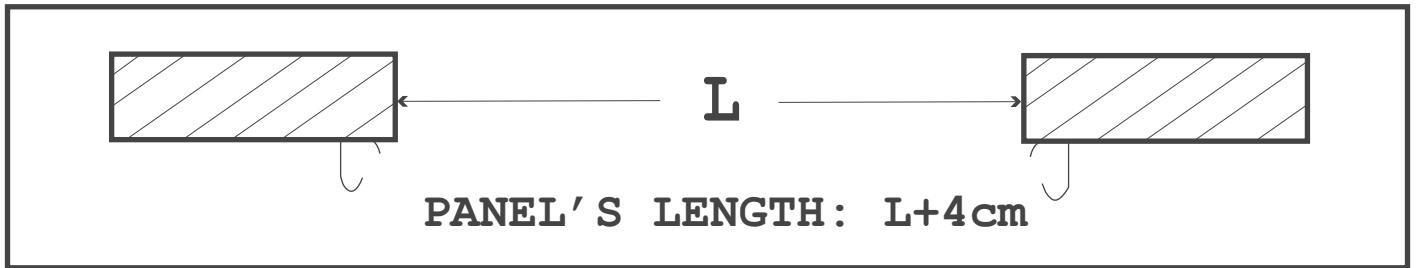
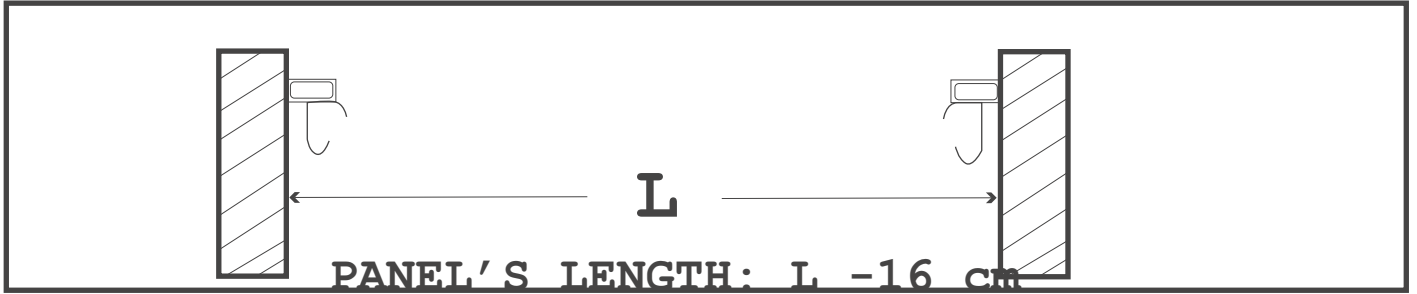


- 1a - Bearing (USA-B)
- 1b - Bearing retainer (325)
- 2 - Cable drum (FF-...)
- 3 - Spring fitting red (FF-...)
- 4 - Spring fitting black (FF-...)
- 5 - Bearing plate (310, 315, 316, 317, 318)
- 6 - Spring
- 7 - Shaft (701, 702, 705GB)

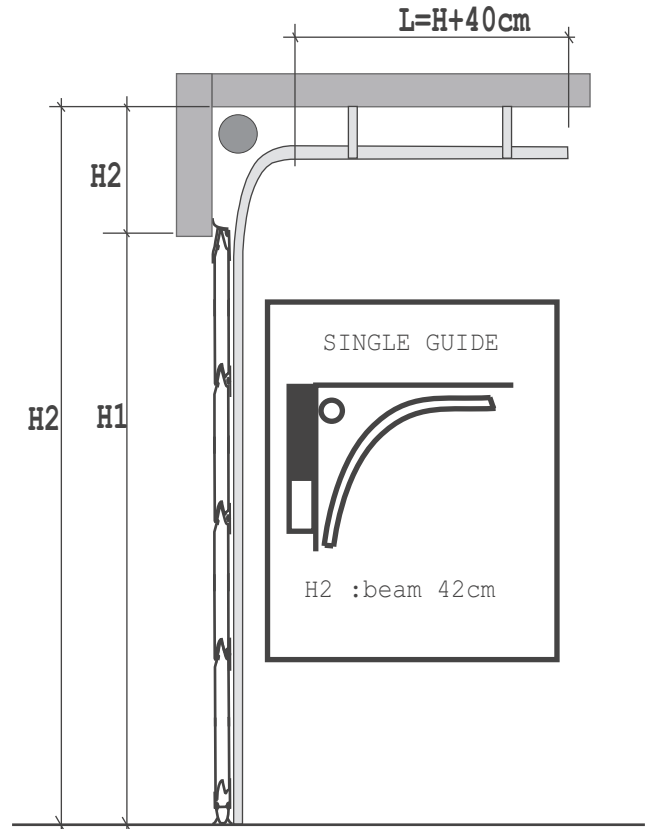
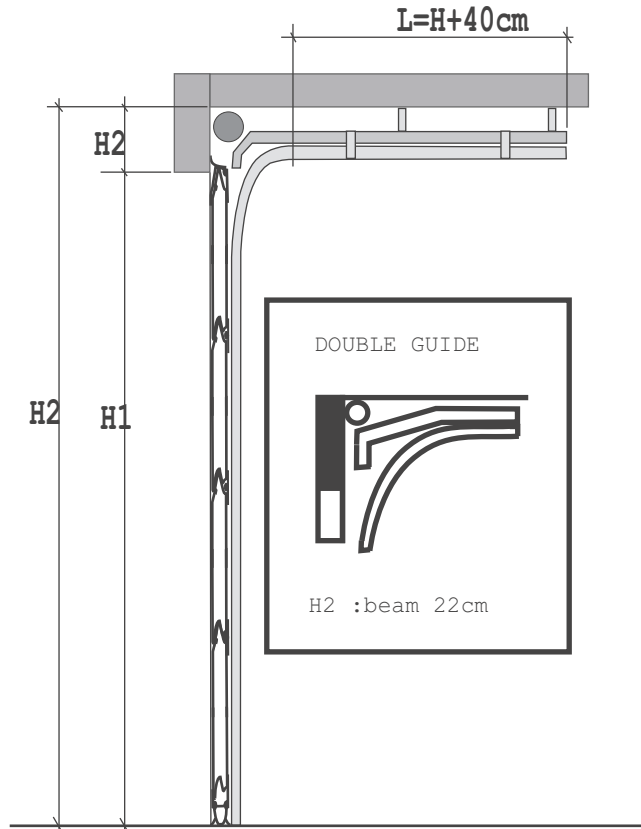
- 8 - Angle (BB-9VB)
- 9 - Top curve (BB-215H20-300)
- 10 - Big curve (2H1500-380)
- 11 - Guide (BB-2V)
- 12 - Spring bumber (718, 719)
- 13 - Spring bumber plate
- 14 - Distance profile

CUTTING (LENGTH)

IRON BEAMS 100 X 40



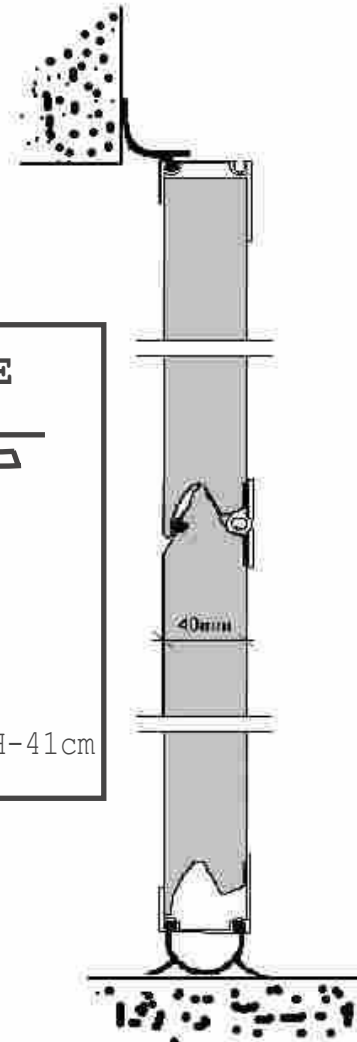
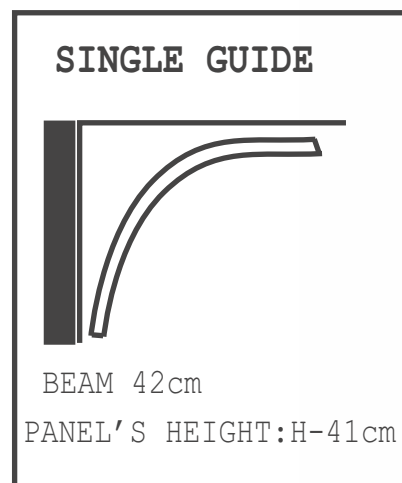
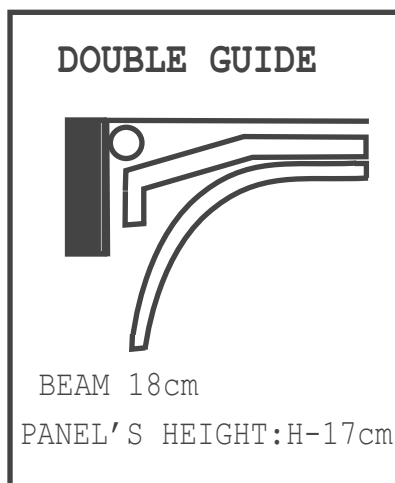
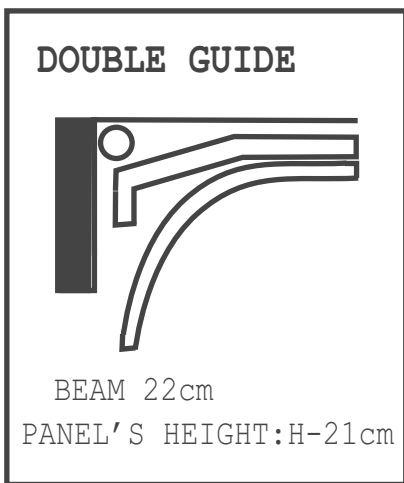
GENERAL DRAWINGS-SECTIONS



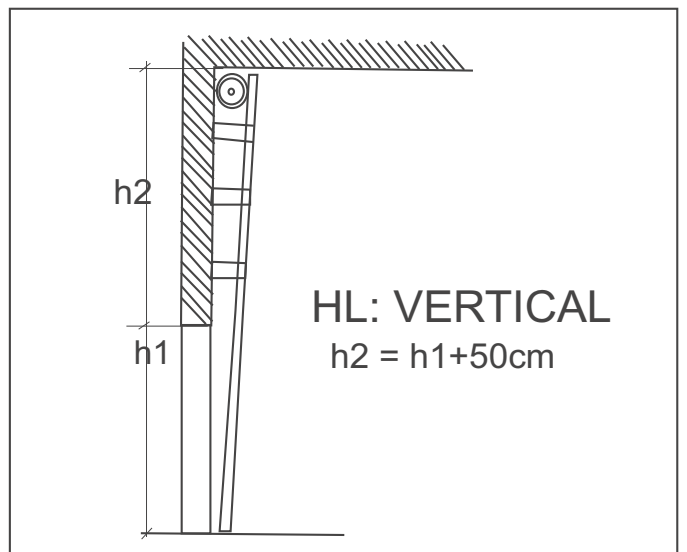
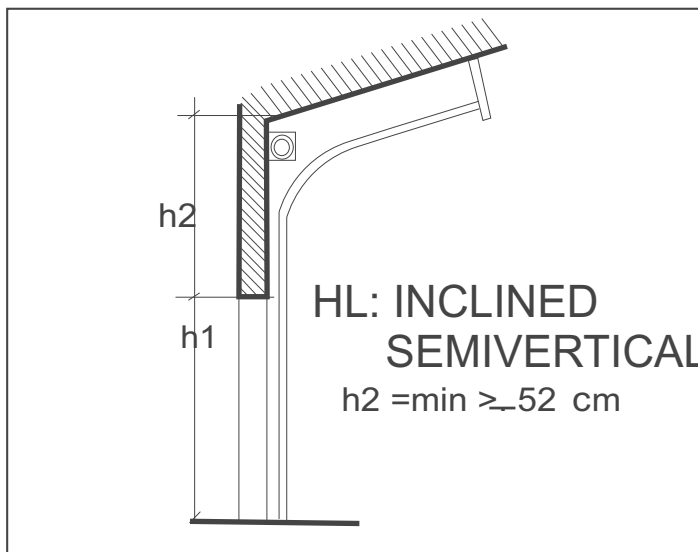
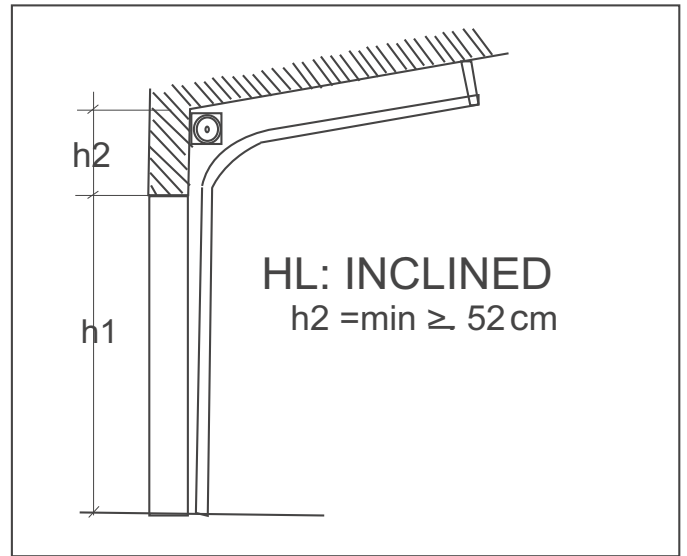
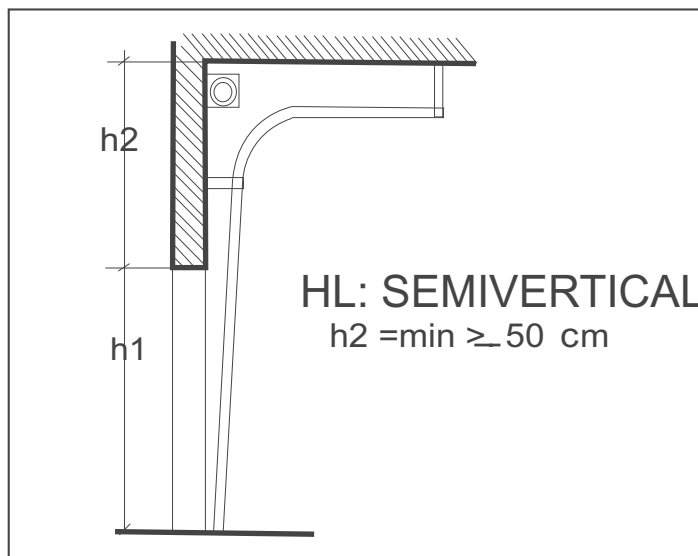
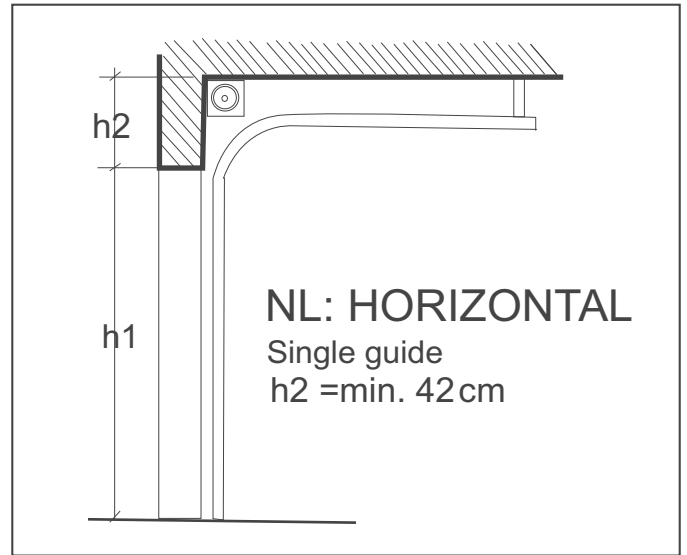
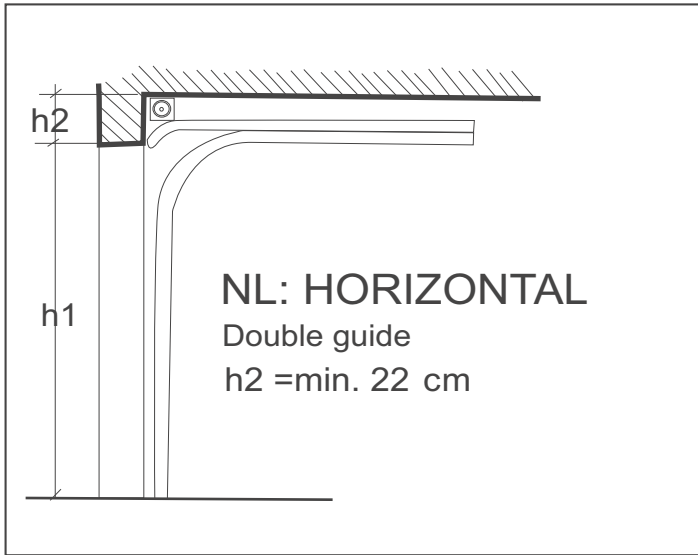
DOUBLE GUIDES

On an automatic door then the space you loose is 22cm.
On a not automatic door the space you loose is 32cm.

CUTTING (HEIGHT)



Ways of installation



Edil Sider^{S.p.A}

Via Benedetto Croce, 22
Tel. 0924.21588 PBX - Fax 0924.25500
ALCAMO (TP)
www.edilsiderspa.it
info@edilsiderspa.it